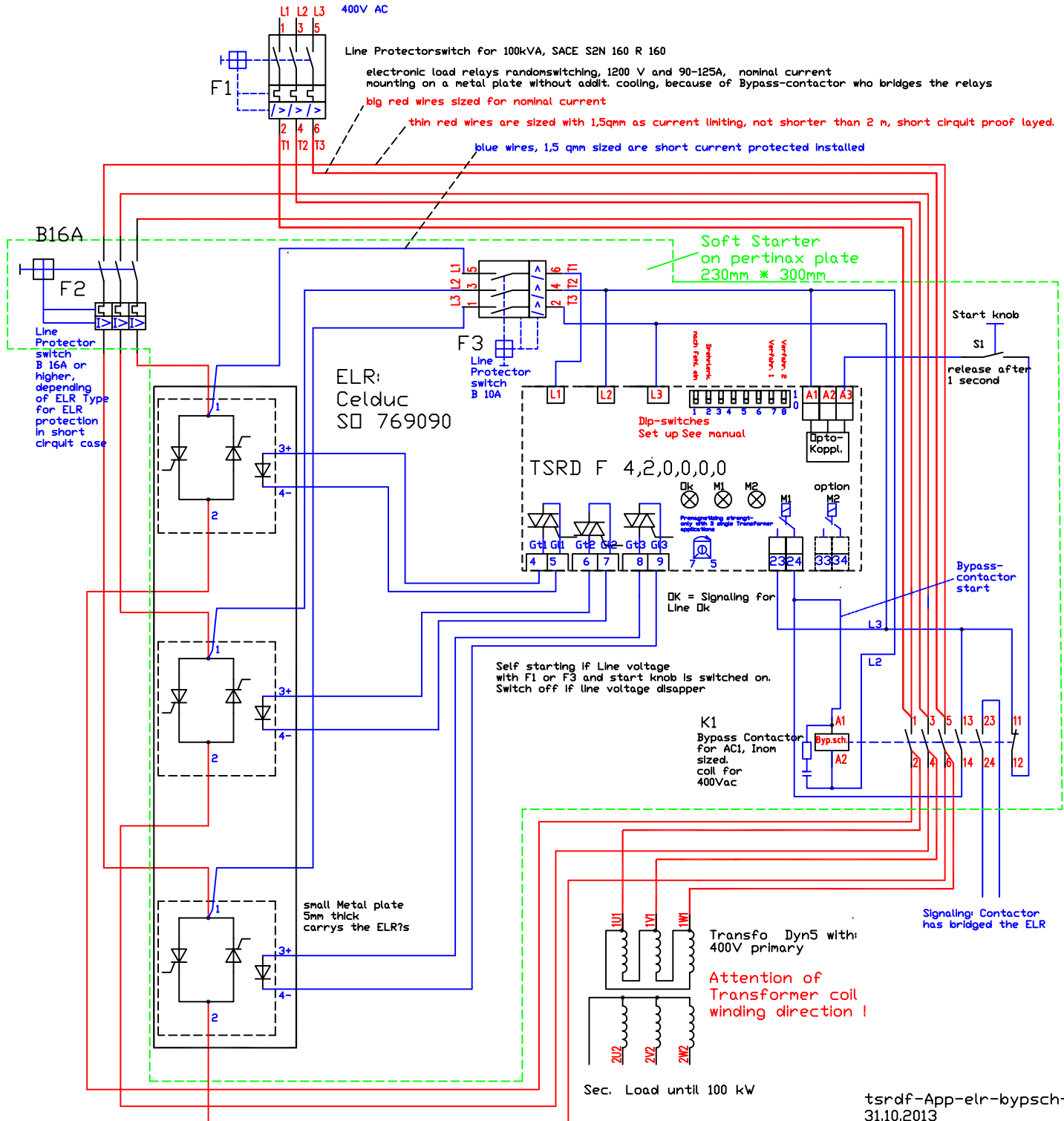


3 Phase Transformer Softstarter with Bypass Contactor for 24-100kVA.



TSRDF with electronic load relays randomsw., and the small line protectors, are fixed on the pertinax plate with 230 mal 300mm
 The Bypass contactor and the Line protector switch and the Softstarter are fixed together on a Pertinaxplate mit 260 mal 675 mm.

tsrdf-App-elr-bypsche.dwg, 31.10.2013

Emeko Ing. Büro
 M.Konstanzer
 79114 Freilburg
 0761 441803